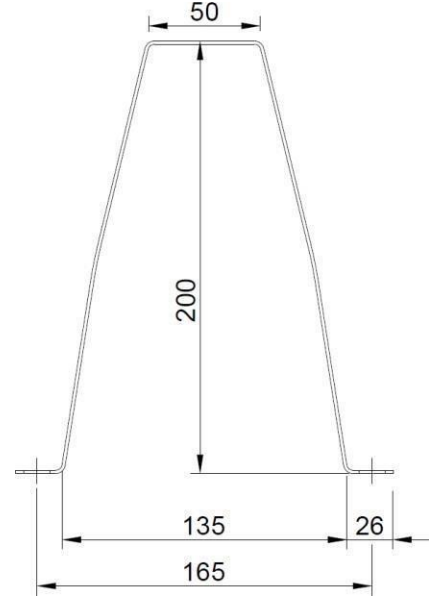


# Omega 200 – Mother of support

GALVANIZED PROFILE



1029  
21  
1029 - CPR - PT20/07229  
EN 1090-1



### Base material

Structural Steel S220GD - S320GD (EN10346)  
Other steel grades on request

### Type of protection

Structural Steel Z100 - Z275 (EN10346)  
Other steel grades on request

### Drilling

Hole Ø12x14mm - Screw M10

### Thickness

1.5; 2 e 2.5 mm

### Geometric tolerances

EN1090-4 and EN 10162

### Reaction to fire

Class A1

### Manufacturing

According to customer specifications/drawings

## TABLE OF GEOMETRIC PROPERTIES

PERFILE	Dimensions						Área cm <sup>2</sup>	Weight kg/m	Center of gravity		Inertia			Radius of gyration		Sturdy module		Painting area Unit Surface m <sup>2</sup> /m	Drilling	Screw
	e	H	b	b <sub>1</sub>	d <sub>1</sub>	c			YG	ZG	I <sub>Y</sub>	I <sub>Z</sub>	I <sub>t</sub>	i <sub>y</sub>	i <sub>z</sub>	w <sub>y</sub>	w <sub>z</sub>			
	mm								mm		cm <sup>4</sup>			cm		cm <sup>3</sup>				
Ω 200	1.5	200	50	135	165	26	7.50	5.89	93.5	99.7	346.3	205.5	0.06	6.80	5.23	34.53	21.98	1.003	Ø 12x14	M10
	2						10.00	7.85		99.6	460.4	275.8	0.13	6.79	5.25	45.85	29.50	1.004		
	2.5						12.50	9.81		99.4	573.6	347.0	0.25	6.77	5.27	57.02	37.12	1.005		

**Note:** The properties shown in the table refer to the raw section. The effects of the material's geometric non-linearity and imperfect execution are not taken into account.