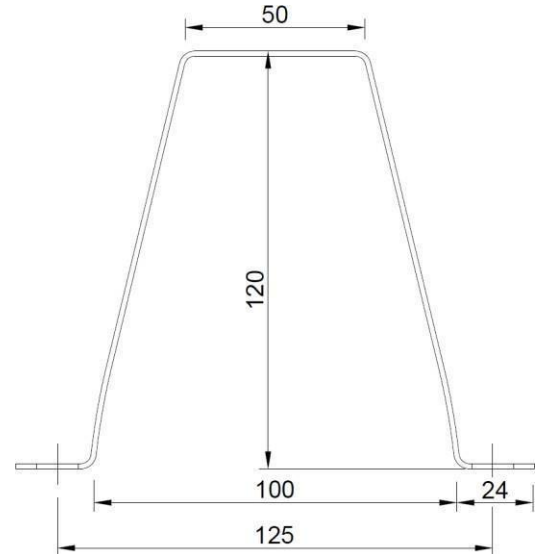


Omega 120 – Mother of support

GALVANIZED PROFILE



1029
21
1029 - CPR - PT20/07229
EN 1090-1



Base material

Structural Steel S220GD - S320GD (EN10346)
Other steel grades on request

Type of protection

Structural Steel Z100 - Z275 (EN10346)
Other steel grades on request

Drilling

Hole Ø12x14mm - Screw M10

Thickness

1.5; 2 e 2.5 mm

Geometric tolerances

EN1090-4 and EN 10162

Reaction to fire

Class A1

Manufacturing

According to customer specifications/drawings

TABLE OF GEOMETRIC PROPERTIES

PERFILE	Dimensions						Área	Weigh t	Center of gravity		Inertia			Radius of gyration		Sturdy module		Painting area	Drilling	Screw
	e	H	b	b _i	d ₁	c			YG	ZG	IY	IZ	IT	i _y	i _z	w _y	w _z	Unit Surface		
	mm						cm ²	kg/m	mm		cm ⁴			cm		cm ³		m ² /m		
Ω 120	1.5	120	50	100	125	24	4.95	3.89	74.0	60.4	92.4	90.1	0.04	4.32	4.27	15.50	12.18	0.663	Ø 12x14	M10
	2						6.60	5.18		60.2	122.5	121.2	0.09	4.31	4.29	20.48	16.38	0.664		
	2.5						8.25	6.48		60.1	152.2	152.8	0.17	4.30	4.30	25.41	20.65	0.665		

Note: The properties shown in the table refer to the raw section. The effects of the material's geometric non-linearity and imperfect execution are not taken into account.