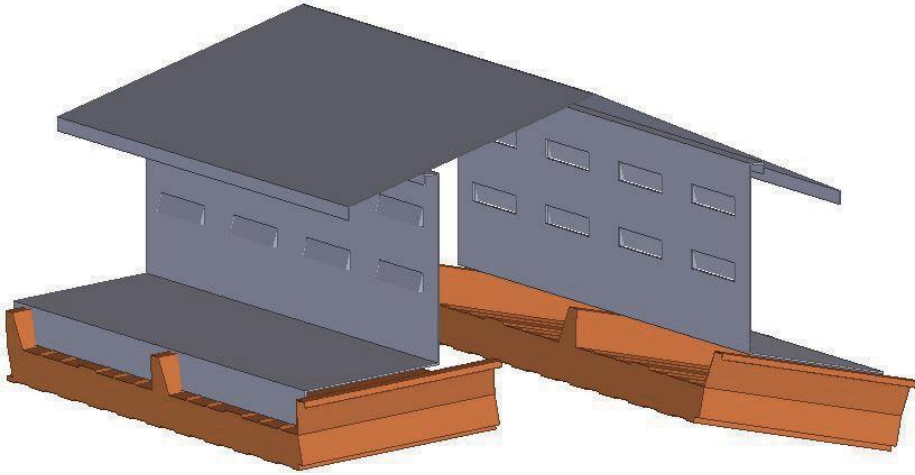


Product Data Sheet

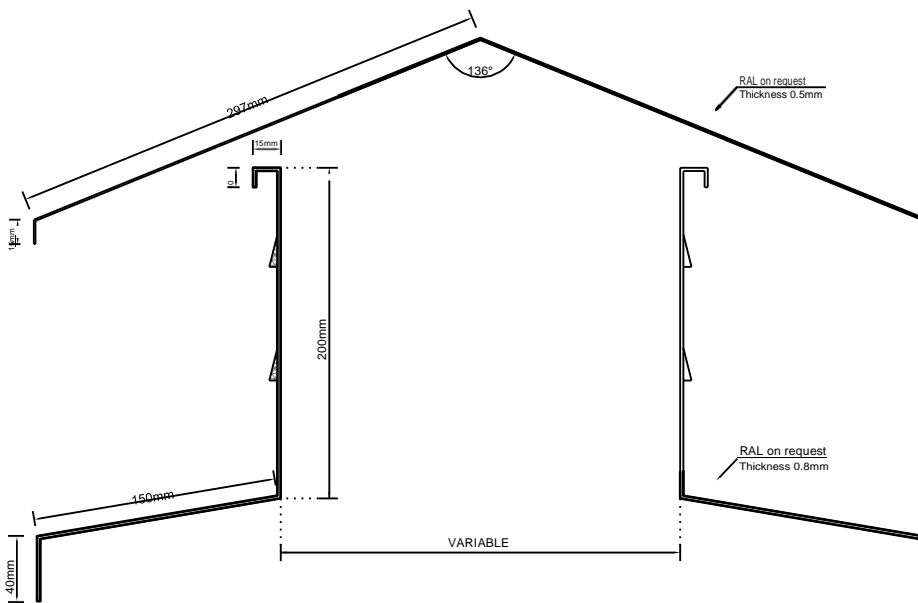
Ventilated Ridge



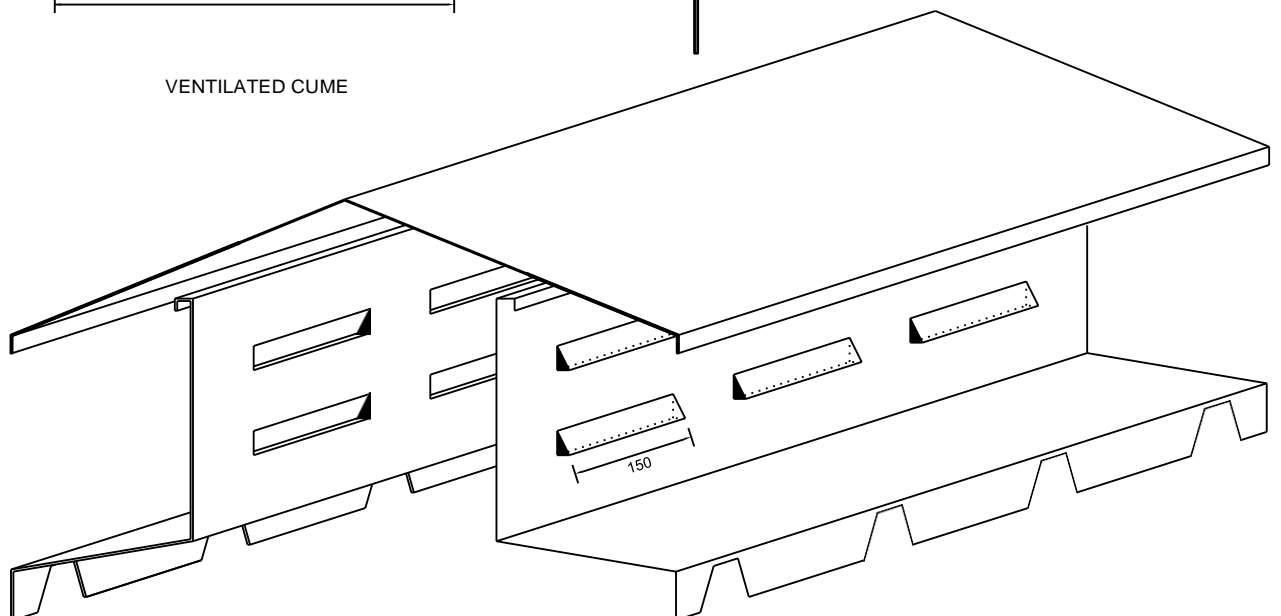
The ventilation of any building is important to help remove excess heat and humidity in places of common use. In industrial buildings, in addition to the above, ventilation is important for recycling stale air.

Through the ventilated ridge it is possible to have natural static ventilation of any installation. It should be noted that it is important to have air inlets at a lower level than where the accessory is installed, in order to improve air circulation in the installations in question.

RAL on request



VENTILATED CUME



3D VIEW OF VENTILATED SUMMIT