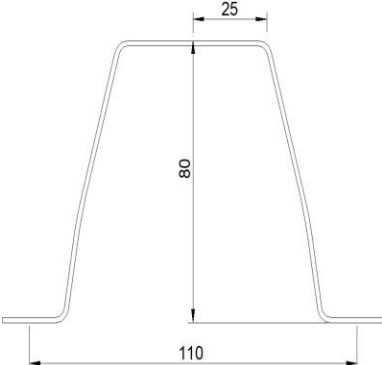
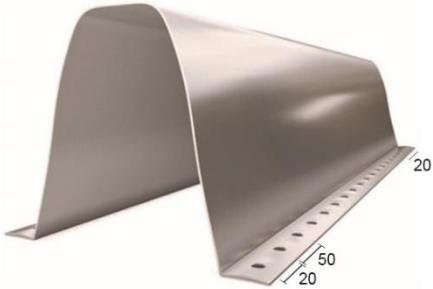
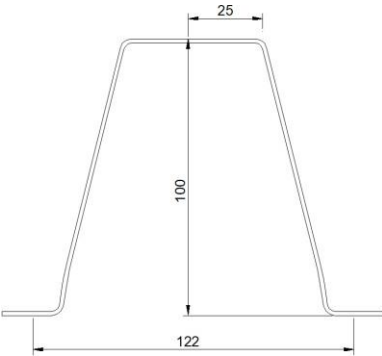
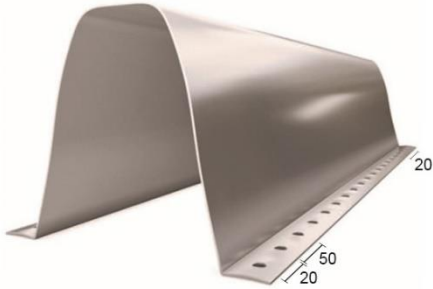
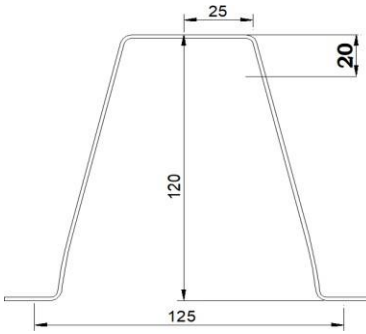
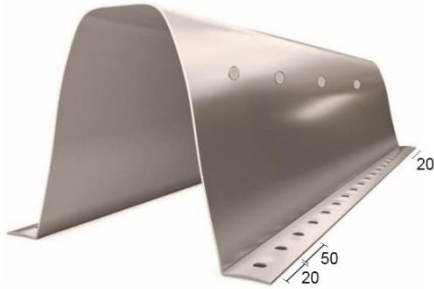
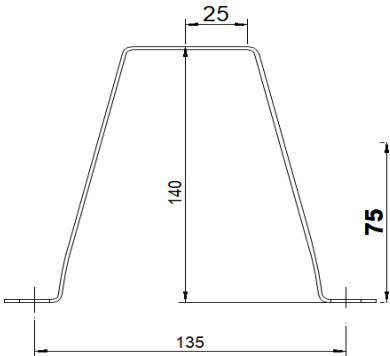
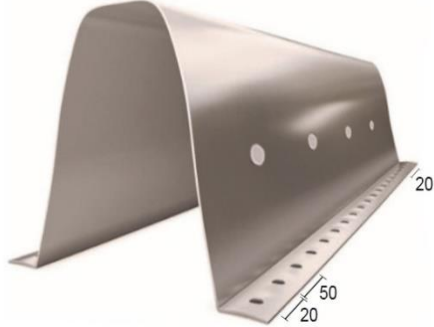
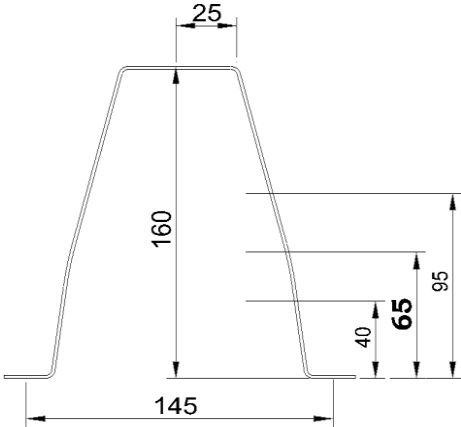
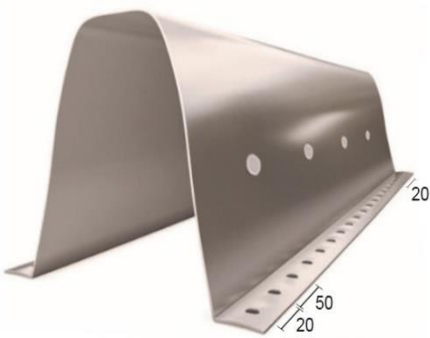
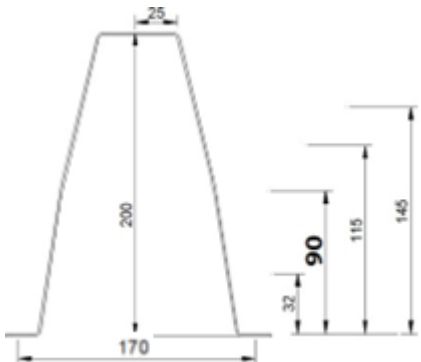
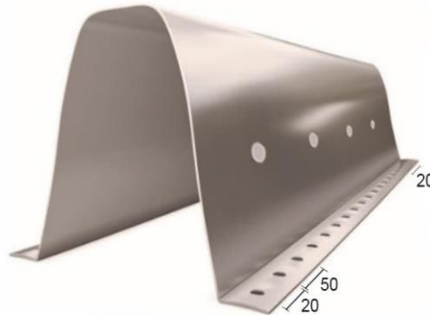
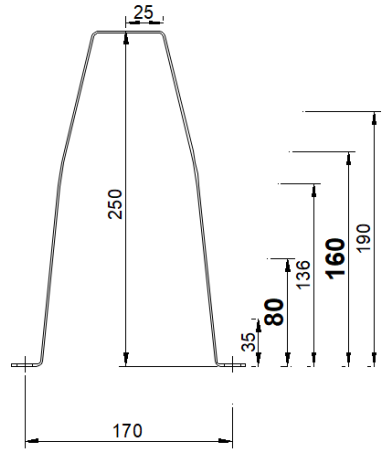
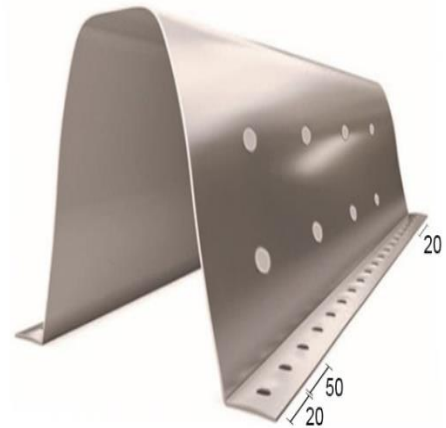


OMÉGAS STRUCTURELS

SYSTÈME DE FORAGE CONTINU

TITLE	PROFIL 2D	PROFIL 3D
Ω80	 <p>2D profile of Omega 80 structural member. Dimensions: top flange width 25, height 80, bottom flange width 110.</p>	 <p>3D perspective view of Omega 80 structural member. Dimensions: top flange width 25, height 80, bottom flange width 110.</p>
Ω100	 <p>2D profile of Omega 100 structural member. Dimensions: top flange width 25, height 100, bottom flange width 122.</p>	 <p>3D perspective view of Omega 100 structural member. Dimensions: top flange width 25, height 100, bottom flange width 122.</p>
Ω120	 <p>2D profile of Omega 120 structural member. Dimensions: top flange width 25, height 120, bottom flange width 125, and a vertical dimension of 20 on the right side.</p>	 <p>3D perspective view of Omega 120 structural member. Dimensions: top flange width 25, height 120, bottom flange width 125, and a vertical dimension of 20 on the right side.</p>
Ω140	 <p>2D profile of Omega 140 structural member. Dimensions: top flange width 25, height 140, bottom flange width 135, and a vertical dimension of 75 on the right side.</p>	 <p>3D perspective view of Omega 140 structural member. Dimensions: top flange width 25, height 140, bottom flange width 135, and a vertical dimension of 75 on the right side.</p>

TITLE	PROFIL 2D	PROFIL 3D
Ω160		
Ω200		
Ω250		

* Dans les profils Ω160, Ω200 et Ω250, la valeur en gras est le trou standard, mais les autres tailles de forage peuvent être utilisées.

Note:

- ✚ Longueur de l'oméga en multiples de 50 mm ;
- ✚ Trou standard à 20 mm du début/de la fin de l'oméga et le reste en multiples de 50 mm ;
- ✚ Maximum de 6 trous dans la section transversale.